



# Interior Window Measuring Guide

## **GUIDELINES FOR A PERFECT FIT**

Measure each window individually, as size variances are common.

Record width first and then height. Round down to the nearest 1/8".

Measure width from left to right, height from top to bottom, using a steel tape measure.

CLOTH MEASURING TAPE IS NOT RECOMMENDED.



## **Measurement Instructions**

Enter full OPENING SIZE in full and fractional inches for tight fit

WIDTH: Measure across the top, center, bottom

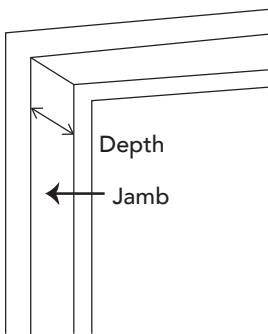
HEIGHT: Measure down the sides and middle

ENTER the smallest measurement for both

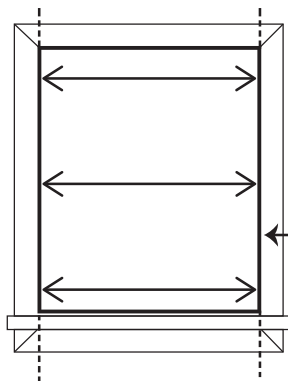
Click SUBMIT to view available options

Window jamb depth must be at least 1-1/2"

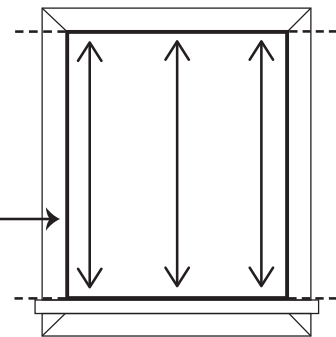
This product is available in 1/8" increments. Interior windows are made to the size ordered to fit inside your opening.



**Depth**



**Width**



**Height**